

# Ventris API Tank-Truck Adaptor

The Ventris API bottom-loading adaptor is precisely engineered to match any loading coupler and to deliver superior value and performance. Its two-piece aluminum construction with a rotatable adaptor ensures reliable service and long life. The one-piece heavy-duty poppet with an acetal resin bearing gives the API the smoothest opening characteristics. This wide range of options enables the API adaptor to be the best choice in a wide range of applications.

## Features and Benefits

- High-flow API Adaptor with flat bottom for reduced product retention
- Lightweight aluminum handle with finger-groove grips
- Model 300 Interlock Mount
- Poppet seal can be easily replaced without removing the API Adaptor from the tank
- Direct replacement for 861, 897 and 891 Series API Adaptors
- Compatible with diesel, biodiesel, gasoline, ethanol and methanol
- Weighs only 12 lbs. (5.44 kg)

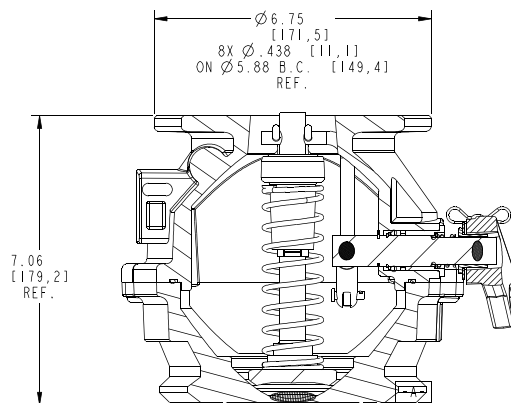


**Ventris API  
Tank-Truck Adaptor**

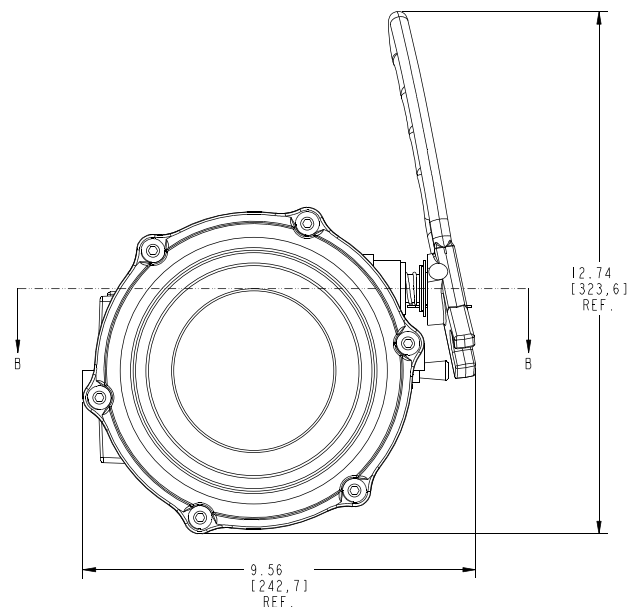
PART # VLA100

## Specifications

- **Dimensions:**
  - **Height:** 12.4"
  - **Width:** 9.88"
- **Weight:** 12 lbs. (5.44 kg)
- **Temperature Rating:** - 40°F (-40°C) to 150°F (66°C)



SECTION B-B



+86 189 1558 3502 [ventrisbyopw.com](http://ventrisbyopw.com)

DELIVERING | WHAT'S NEXT